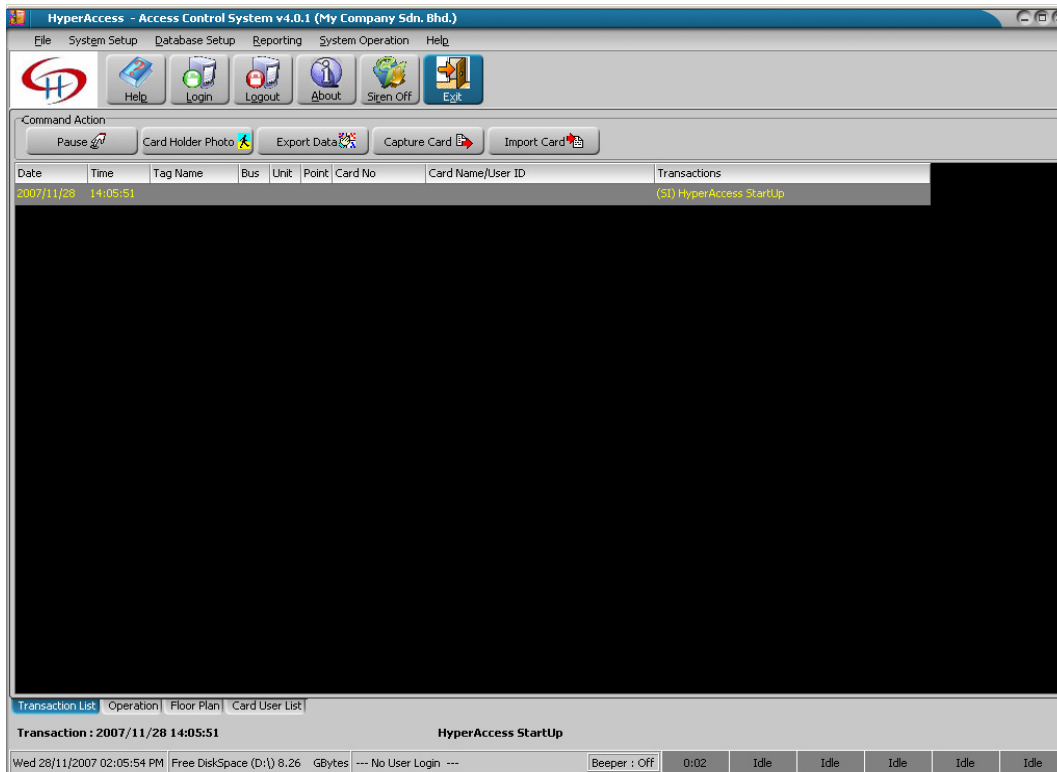


HyperAccess – Access Control System



We manufacture **HyperAccess**, an advanced PC based access control solution that will give you control over who has access to your building. With **HyperAccess** you can control access on hundreds of doors for up to 10,000 users. Our software allows you to manage this in a logical and intuitive way.

HyperAccess is one of the most economical access control systems on the market. There are no hidden costs such as per seat licenses; the software may be loaded on all the PC's in a building if required. The standard version of our software, which includes all the features most organizations will need, is free. Perhaps even more importantly your investment is future proofed. Adding additional doors in your building as your needs change is straightforward and cost effective. In addition, all new innovations to the system are designed to be backward compatible. Software upgrades are free.

HyperAccess offers the key requirements of a PC based access control system.

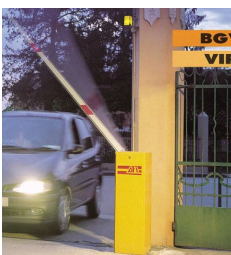
- Central control
- Flexible access permissions
- Reporting

The software gives you full control over the system from your desk. Any instructions given to the software are immediately updated at all the doors. Adding users, barring users and changing users' access permissions are all done from the PC quickly and easily. If your company has several buildings, access to all of them can still be controlled from one location. **HyperAccess** will control many buildings in different locations Using TCP/IP across your existing network.

Access permissions may be set individually or by department. This makes setting up different permissions for different groups of people quick and straightforward. Some areas may be restricted to only a certain group of users. Shift patterns may be set for departments, and those permissions are allocated instantly when a new user card is issued.

An events screen allows viewing of 'real time' events as they are happening. Monitor who is where in a building, if doors have been left propped open or a door been forced. In addition to the 'live' information, reports can easily be created from the software. **HyperAccess** software can be loaded onto one or many PC's in your organization. Different administrative rights may be given to each user.

HyperAccess system is designed mainly to apply on the following application:-



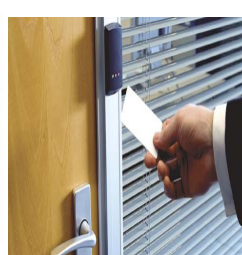
Barrier Gate Access



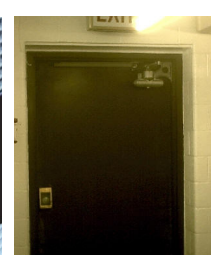
Turnstile Gate Access



Flap Barrier Access



Door Access

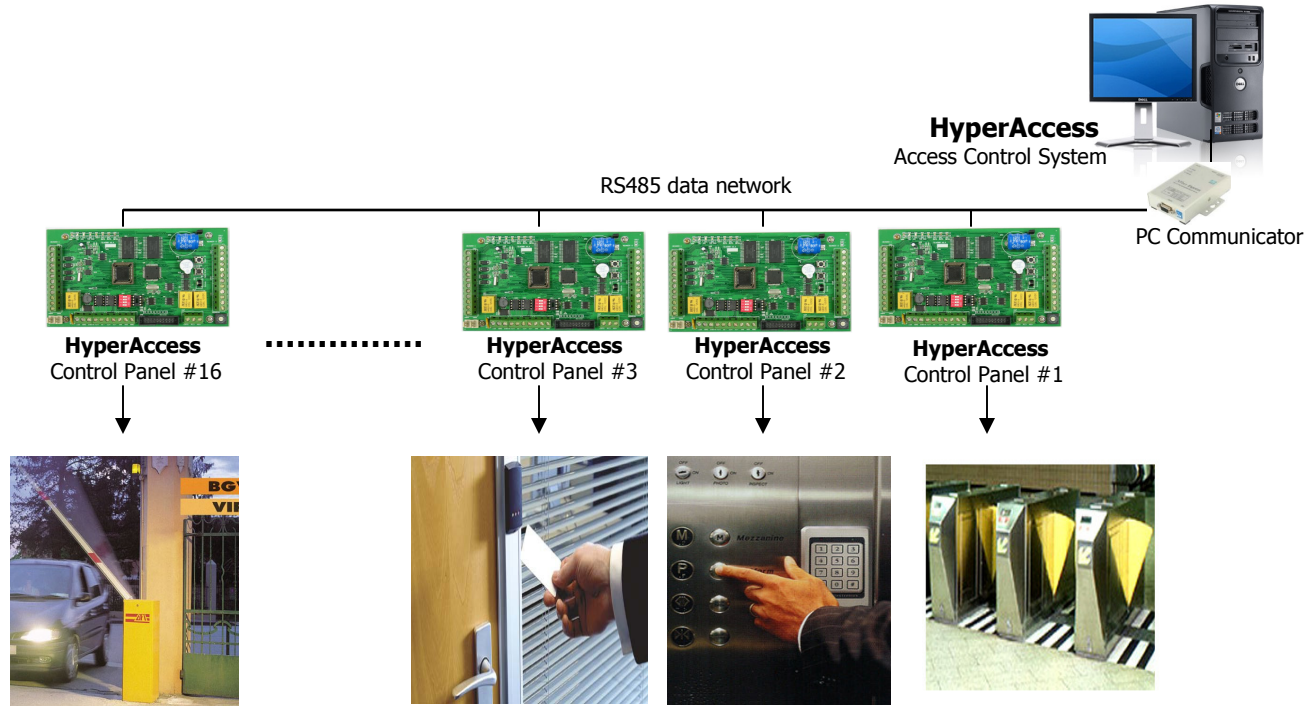


Emergency Door Access/Monitoring



Elevator Access

HyperAccess – Access Control System



System Capabilities

- Support up to maximum of 6 comm. Bus
- Support up to maximum of 192 doors reader
- Support up to maximum of 192 doors
- Support up to maximum of 576 input points
- Support up to maximum of 288 relay output points

Time Attendance

- Time attendance with multiple shift assignment (non-overnight)
- Time attendance with overtime and work hour calculation
- Time attendance record editing
- User definable working hour setting
- Time attendance transaction data exporter
- Attendance reason assignment function

Card holders

- 10 digits card number storage with definable card pin
- 5 user definable data fields

Reporting

- Comprehensive operational event listing
- Card holder daily, monthly time attendance summary listing
- Report personalization (Company name and report logo)

Door Setting

- 128 time sets setting, time zone setting and Access level setting
- 60 holiday set
- Programmable door release/door open time (1 to 99 sec)
- 5 facilities code setting
- Door interlocking controls by Time zone
- Door Antipassback controls by Time zone
- Door exit push button control by Time zone
- Antipassback reset by Time schedule
- Duress Alarm processing
- 10 sets of 6 digits local pin
- 5000 card users and 10,000 transaction event
- Multi-operation modes
 - (1) Single door with IN and OUT reader
 - (2) Double door with IN reader for entrance and button to exit
 - (3) 1 IN and 1 OUT car park barrier
 - (4) 2 doors emergency door control
 - (5) Time Attendance Panel with Siren Output Control
 - (6) Alarm Monitoring Panel with 6 supervisory points
 - (7) 2 IN car park barrier
 - (8) 2 OUT car park barrier
- Supported card operation mode:- Card only, Pin only, Card + Pin

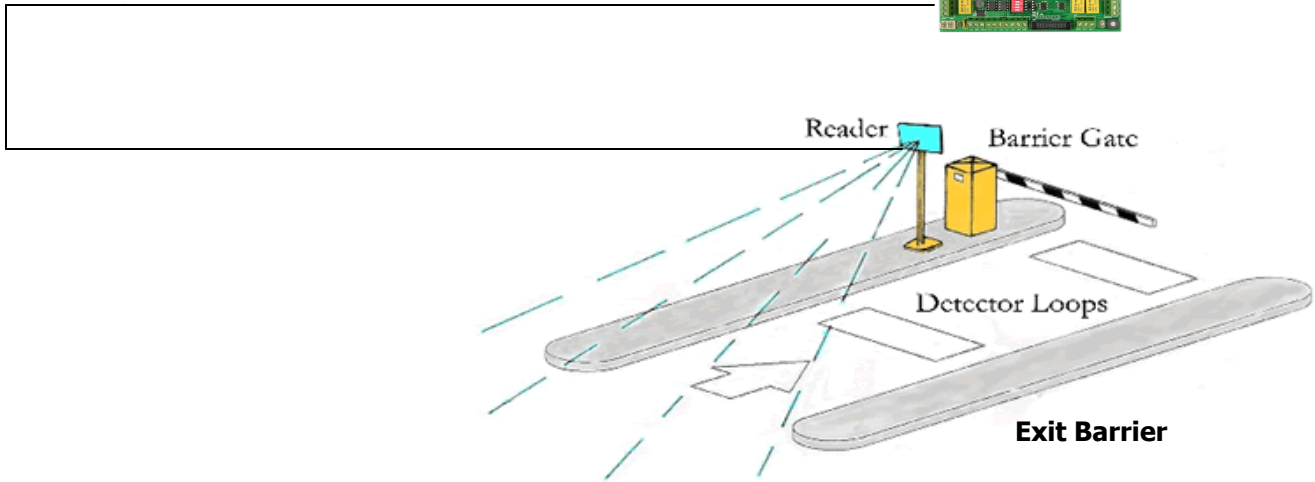
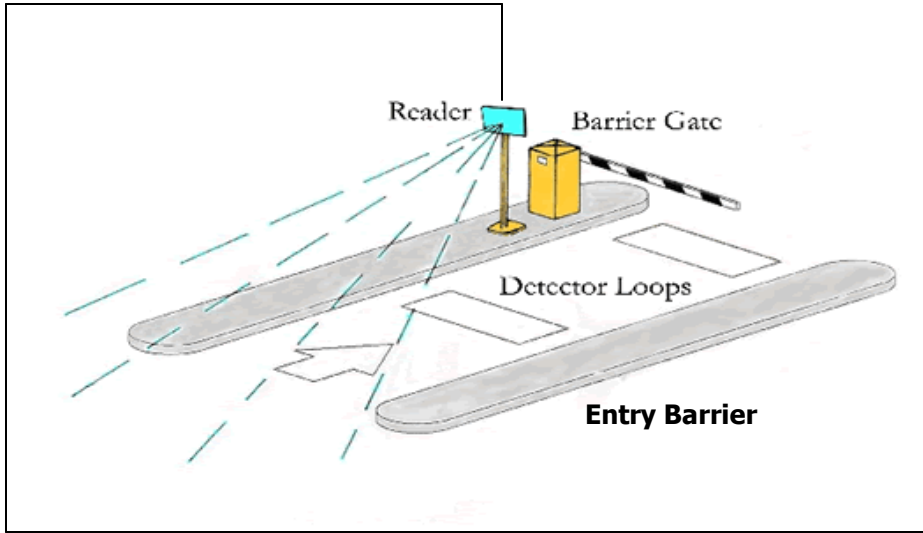
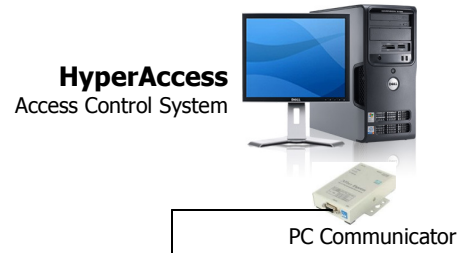
Software system

- Online help user manual
- Multi-user login environment
- System password protection
- Auto transaction event logging
- Menu access level control
- Audible sound on alarm events transaction
- Auto time synchronization from PC time to controller
- Remote controller connection via LAN (TCP/IP)
- Build in house keeping system tool (Backup, restore & re-index db)
- Build in transaction server for 3rd party integration
- Visual verification (Online card photo display)
- Data downloading and data uploading function
- Remote security on/off control
- Remote door release function
- Online transaction viewing
- Extensive search for data
- Industrial database format (dBASE)
- CCTV integration ready

Hardware system

- RS232/RS485 PC communication ready
- Support wiegand reader, integrated keypad & ABA track 2 readers.
- Operating voltage -> 9V to 16V
- Operating current -> 500ma
- Operating frequency -> 24Mhz
- Operating Humidity -> 95% non condensing
- Operation temperature -> 60°C
- Processor -> 16 bits MCU
- Flash memory -> 128Kbytes
- SRAM -> 512Kbytes
- Timer & Clock -> Real Time Clock with battery backup
- Power supply system -> Switching regulator on board that accepts max 30 inputs VDC steps down to 5VDC 500mA output
- Watch Dog Reset -> Equipped with internal and external watchdog reset circuitry.
- Power On Reset -> Equipped with 4.7Vdc triggering threshold voltage level.
- Protection -> Embedded with resettable fuses and TVS on communication circuitry.
- PCB Dimension -> 17.9cm X 20.5cm

HyperAccess – Access Control System



1 IN & 1 OUT Barrier Gate Configuration Diagram

Hyper Security Sdn Bhd
19B, Jln TK 1/11A, Tmn Kinrara,
Batu 7 off Jln Puchong 47100 Selangor.
Tel : 8075-7199 Fax: 8075-7198

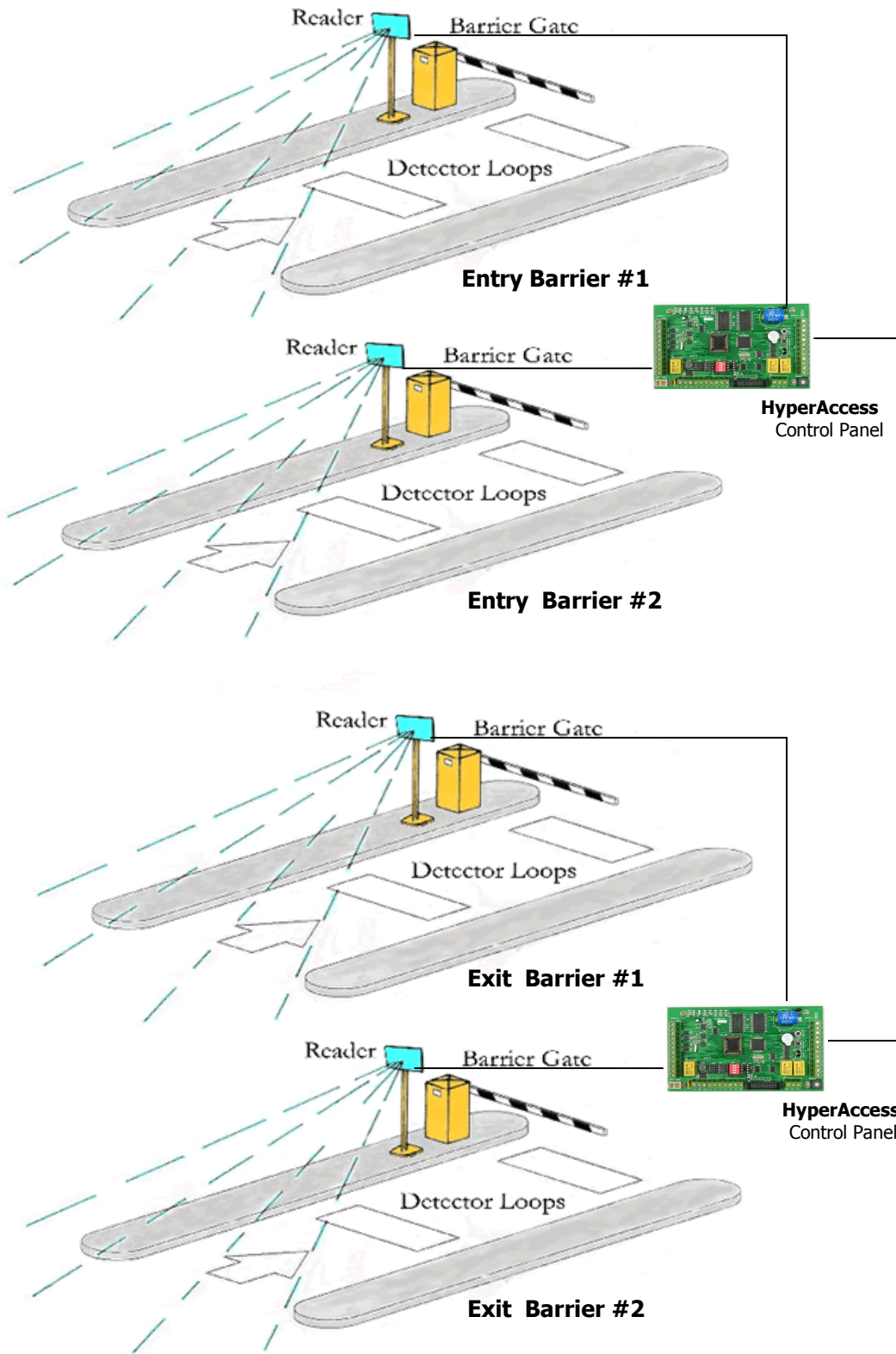
The specification contained in this datasheet are subject to change without notice at anytime

HyperAccess – Access Control System

HyperAccess
Access Control System



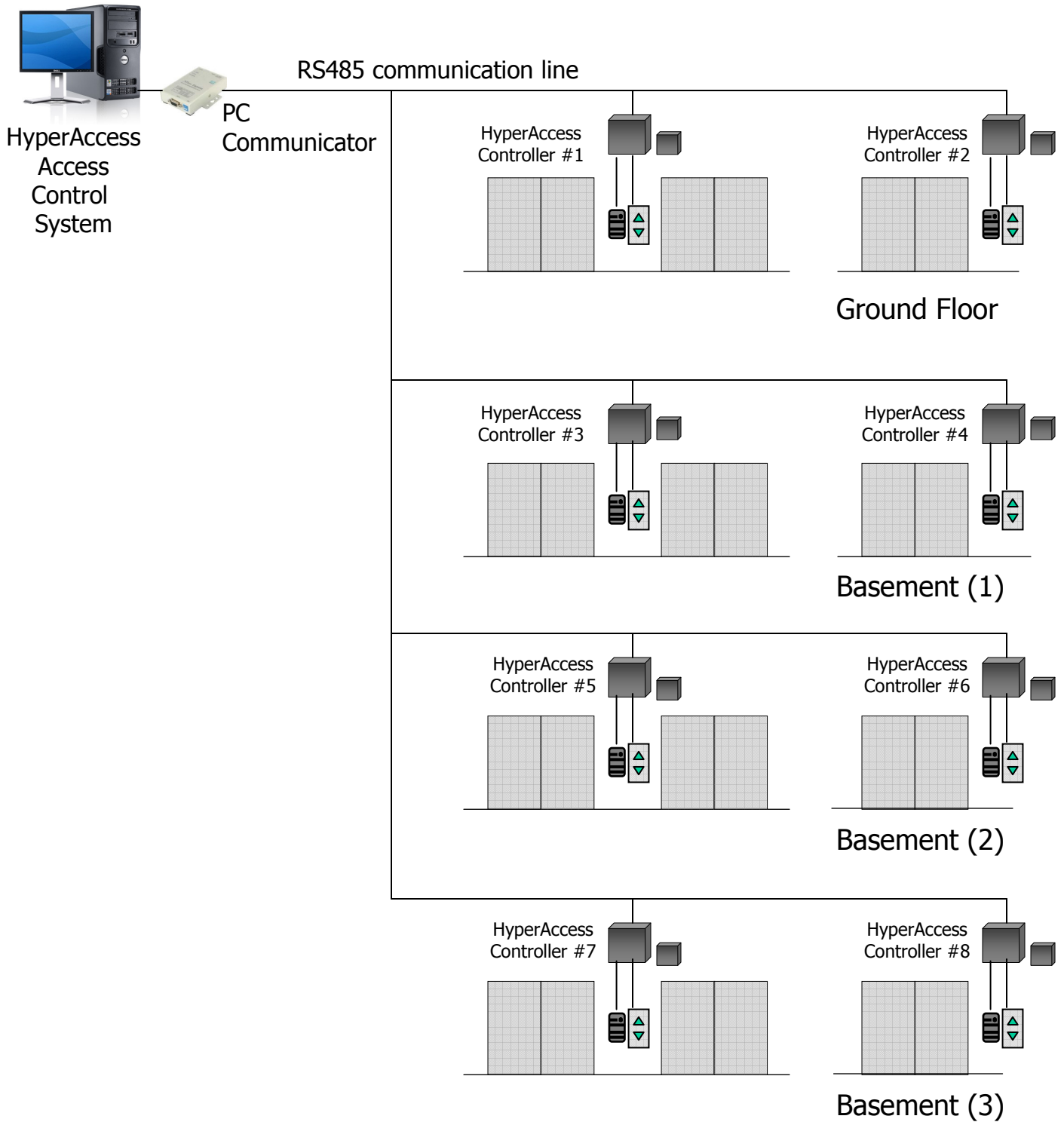
PC Communicator



2 IN & 2 OUT Barrier Gate Configuration Diagram

Hyper Security Sdn Bhd
19B, Jln TK 1/11A, Tmn Kinrara,
Batu 7 off Jln Puchong 47100 Selangor.
Tel : 8075-7199 Fax: 8075-7198

HyperAccess – Access Control System



Hyper Security Sdn Bhd

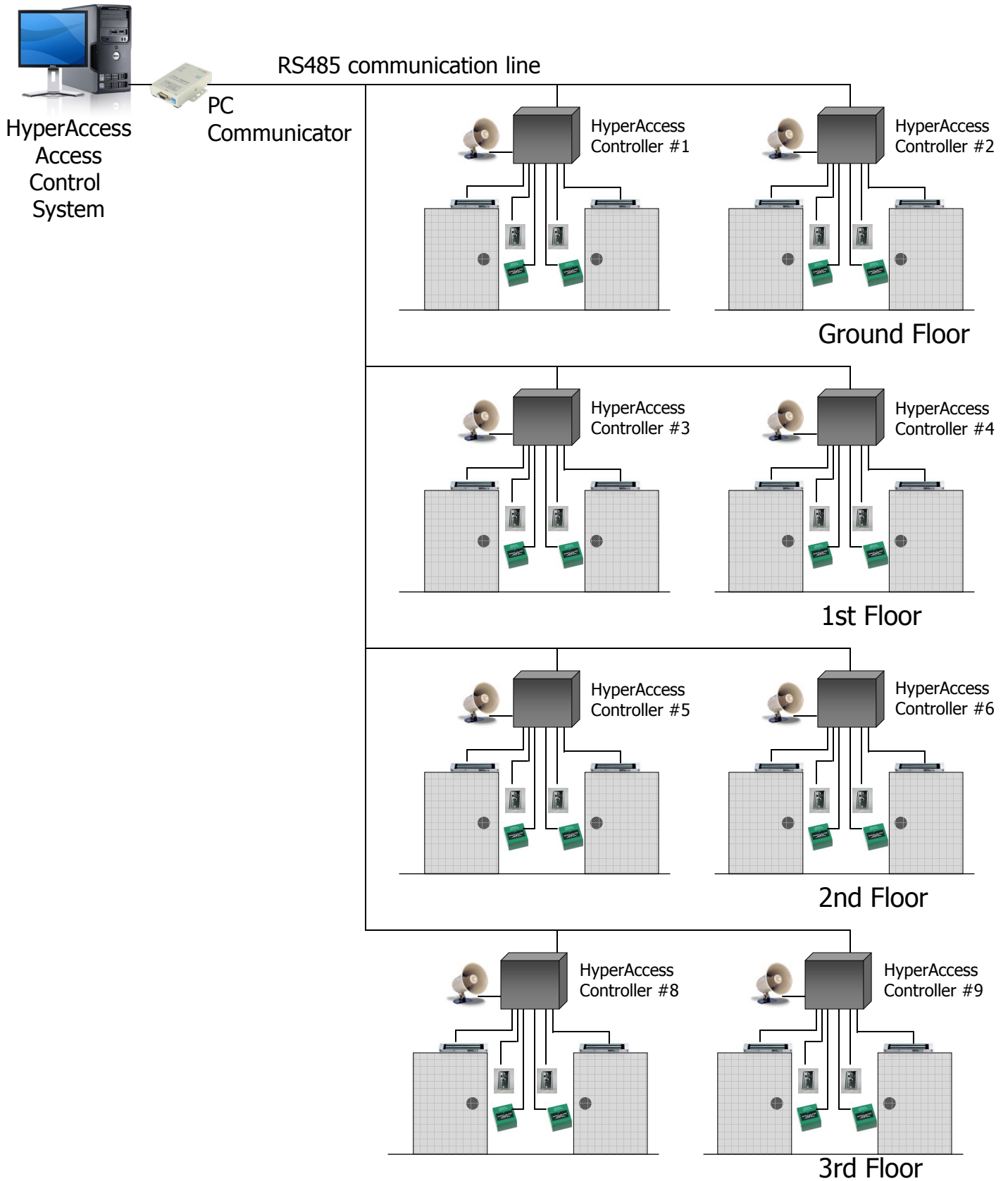
19B, Jln TK 1/11A, Tmn Kinrara,
Batu 7 off Jln Puchong 47100 Selangor.

Tel : 8075-7199 Fax: 8075-7198

Elevator Call Button Access - Configuration Diagram

The specification contained in this datasheet are subject to change without notice at anytime

HyperAccess – Access Control System

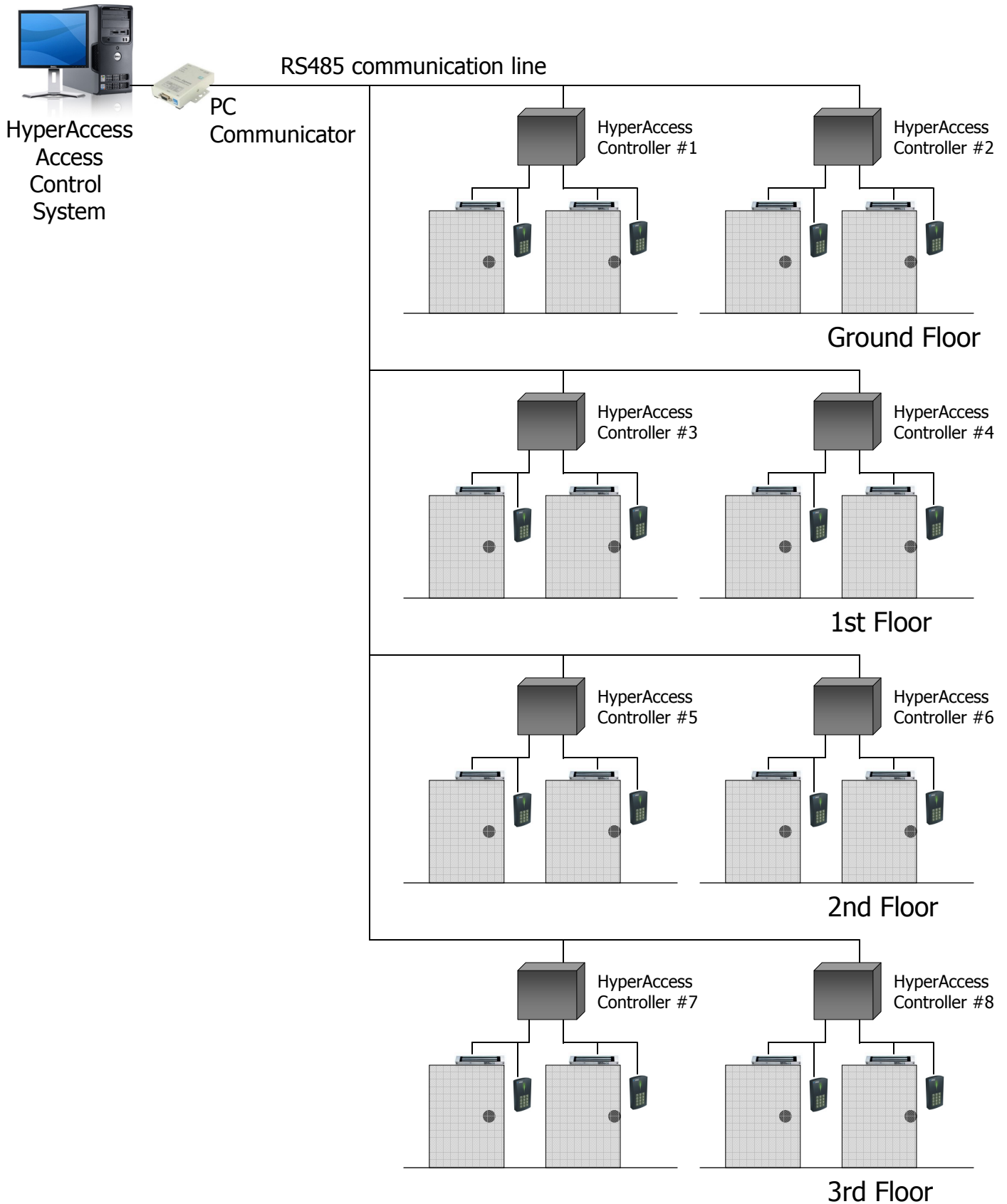


Emergency Door Access - Configuration Diagram

Hyper Security Sdn Bhd
19B, Jln TK 1/11A, Tmn Kinrara,
Batu 7 off Jln Puchong 47100 Selangor.
Tel : 8075-7199 Fax: 8075-7198

The specification contained in this datasheet are subject to change without notice at anytime

HyperAccess – Access Control System



Door Access - Configuration Diagram

Hyper Security Sdn Bhd
19B, Jln TK 1/11A, Tmn Kinrara,
Batu 7 off Jln Puchong 47100 Selangor.
Tel : 8075-7199 Fax: 8075-7198